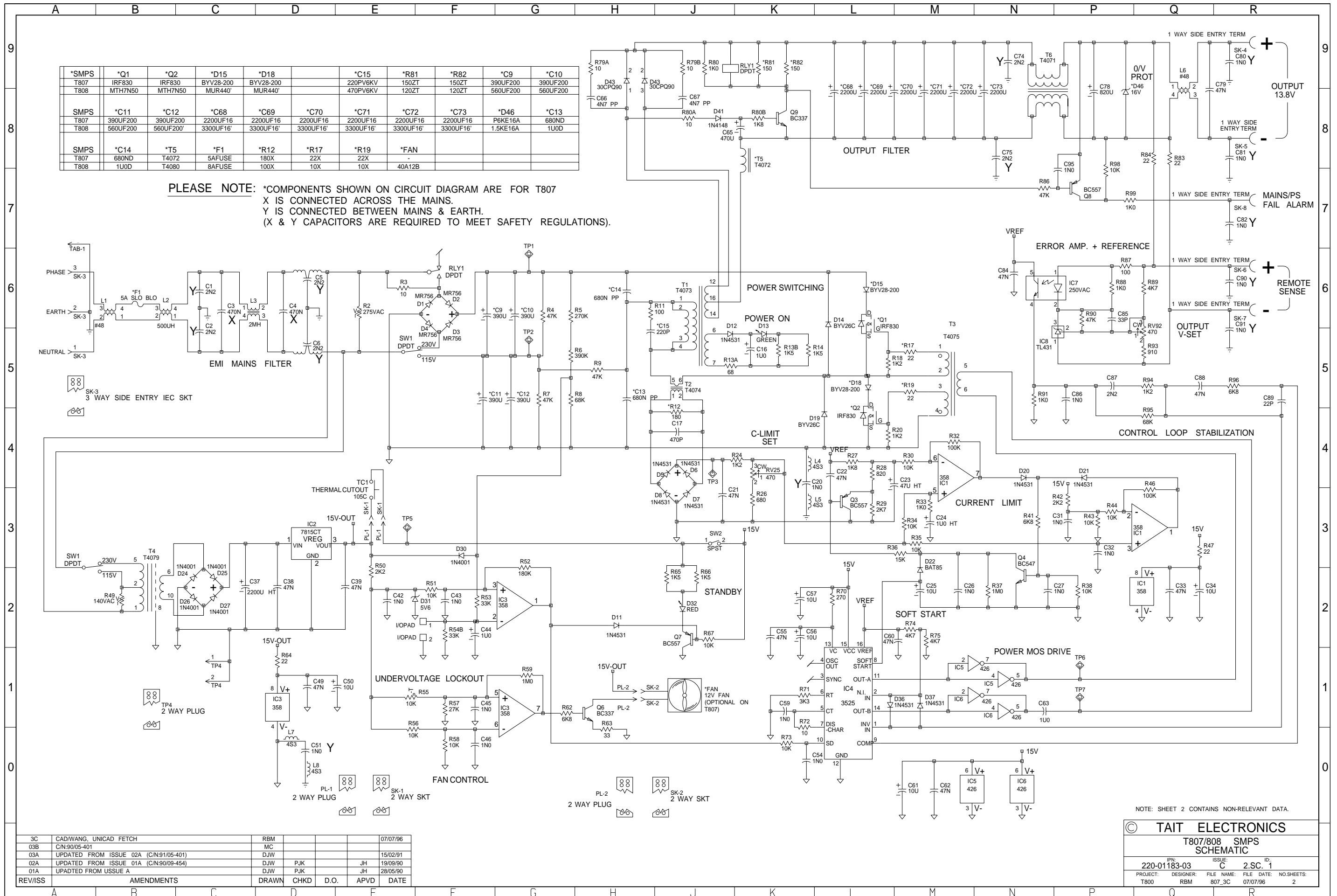


T807/808 PCB Layout
Bottom Side
220-01183-03



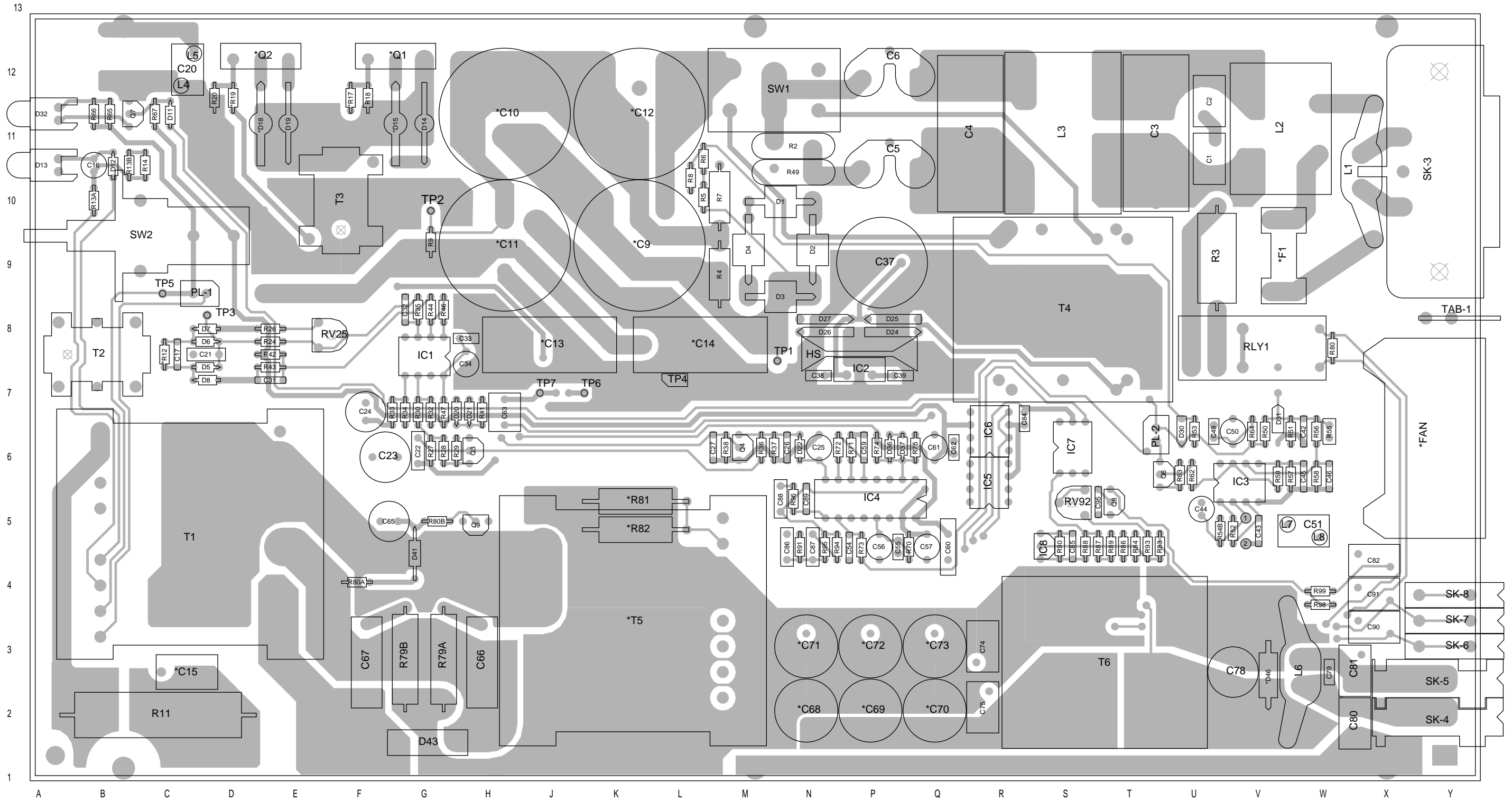
NOTE: SHEET 2 CONTAINS NON-RELEVANT DATA.

TAIT ELECTRONICS

T807/808 SMPS SCHEMATIC

ISSUE: C 2.SC. 1

PROJECT: T800 DESIGNER: RBM FILE NAME: 807_3C FILE DATE: 07/07/96 NO.SHEETS: 2



T807/808 PCB Layout
Top Side
220-01183-03

T807/808 Noise Modulator Parts List (IPN 220-01268-00)

How To Use This Parts List

The components listed in this parts list are divided into two main types: those with a circuit reference (e.g. C2, D1, R121, etc) and those without (miscellaneous and mechanical).

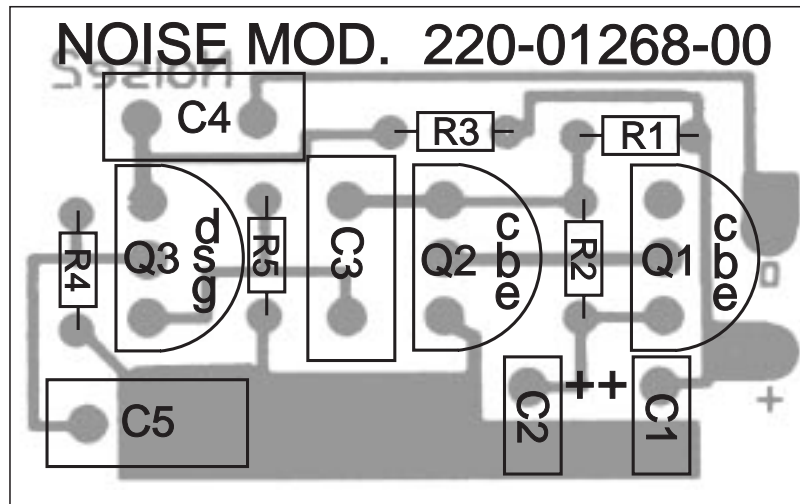
Those with a circuit reference are grouped by component type in numerical order. Each component entry comprises three or four columns: the circuit reference, variant number (if applicable), IPN and description. A number in the variant column indicates that this component is fitted only to that variant.

The miscellaneous and mechanical section lists the variant and common parts in IPN order.

Parts List Amendments

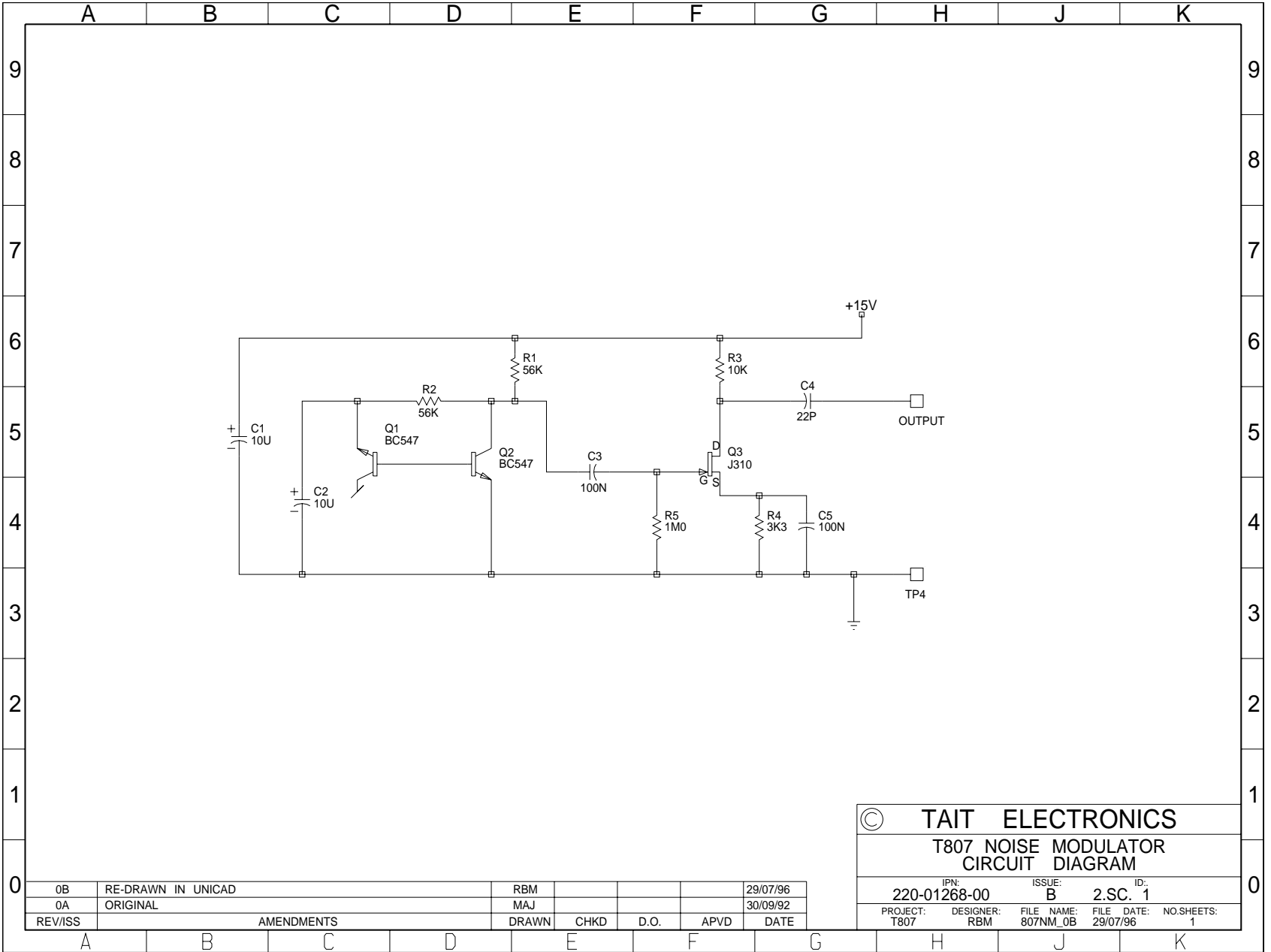
There were no amendments to the parts list at the time of publication.

Ref	Var	IPN	Description	Ref	Var	IPN	Description
C1		025-08100-02	CAP TANT BEAD 10M 10% 16V				
C2		025-08100-02	CAP TANT BEAD 10M 10% 16V				
C3		022-06100-01	CAP MYLAR 100N10% 50V				
C4		011-52220-01	CAP CER AI 22P5% N15050/63V				
C5		022-06100-01	CAP MYLAR 100N10% 50V				
Q1		000-50011-10	(S) XSTR AI BC547B NPNT0-92 AF S/SIG				
Q2		000-50011-10	(S) XSTR AI BC547B NPNT0-92 AF S/SIG				
Q3		000-00033-10	(S) XSTR J310 JFET TO-92 UHF 2.5MM L/S				
R1		030-55560-20	RES FILM AI 56K 5% 0.4W 4X1.6MM				
R2		030-55560-20	RES FILM AI 56K 5% 0.4W 4X1.6MM				
R3		030-55100-20	RES FILM AI 10K 5% 0.4W 4X1.6MM				
R4		030-54330-20	RES FILM AI 3K3 5% 0.4W 4X1.6MM				
R5		030-57100-20	RES FILM AI 1M5% 0.4W4X1.6MM				
		200-00010-04	WIRE T/C 0.7MM (2 x 30mm lengths)				
		201-00060-04	WIRE REMIT 0.8MM2 PVC YELLOW				
		201-00060-09	WIRE REMIT 0.8MM2 PVC WHITE				
		220-01268-00	PCB T807/808 NOISE MODULATOR				
		369-00020-36	TAPE VINYL FOAM 2 SIDES/A 25.4*3MM 3M4408				



T807/808 Noise Modulator PCB (IPN 220-01268-00) - Top Side Encoding Overlaid On Bottom Side Copper

T807/808 Noise Modulator PCB (IPN 220-01268-00) - Circuit Diagram



© TAIT ELECTRONICS
T807 NOISE MODULATOR
CIRCUIT DIAGRAM

0B	RE-DRAWN IN UNICAD	RBM				29/07/96
0A	ORIGINAL	MAJ				30/09/92
REV/ISS	AMENDMENTS	DRAWN	CHKD	D.O.	APVD	DATE

IPN:	ISSUE:	ID:
220-01268-00	B	2.SC. 1
PROJECT:	DESIGNER:	FILE NAME:
T807	RBM	807NM_0B
		FILE DATE:
		29/07/96
		NO.SHEETS:
		1

T807 Parts List (IPN 220-01183-05)

How To Use This Parts List

The components listed in this parts list are divided into two main types: those with a circuit reference (e.g. C2, D1, R121, etc) and those without (miscellaneous and mechanical).

Those with a circuit reference are grouped by component type in numerical order. Each component entry comprises three or four columns: the circuit reference, variant number (if applicable), IPN and description. A number in the variant column indicates that this component is fitted only to that variant.

The miscellaneous and mechanical section lists the parts in IPN order and where possible the legend indicates their position on the exploded view.

Parts List Amendments

C1 & C2 Changed from 2.2n (010-04220-09) to 4.7n to meet European Type Approval (95/09-7077).
 C3 & C4 Changed from 470n (022-06470-04) to 680n to meet European Type Approval (95/09-7077).
 C5 & C6 Changed from 2.2n (012-04220-06) to 4.7n to meet European Type Approval (95/09-7077).
 C5A & C6A 4.7n added in parallel with C5 & C6 respectively to meet European Type Approval (95/09-7077).
 L1 & L1A Added in place of L1 (065-00010-20) to meet European Type Approval (95/09-7077).
 C19 10n (022-55100-10) deleted from circuit to increase stability of short circuit test (95/08-7024).
 C100 10n added to underside of PCB to increase stability of short circuit test (95/08-7024).
 C101 100p added to underside of PCB to increase stability of short circuit test (95/08-7024).
 PL-2 Deleted from Parts List. Only fitted to T808-10 (95/11-7106).

Important mechanical assembly changes to this issue are as follows:

Rear Panel Changed from 316-21177-02 to -03. Change temperature rating from $T_a=60^{\circ}\text{C}$ to $T_a=40^{\circ}\text{C}$ (96/05-7070).

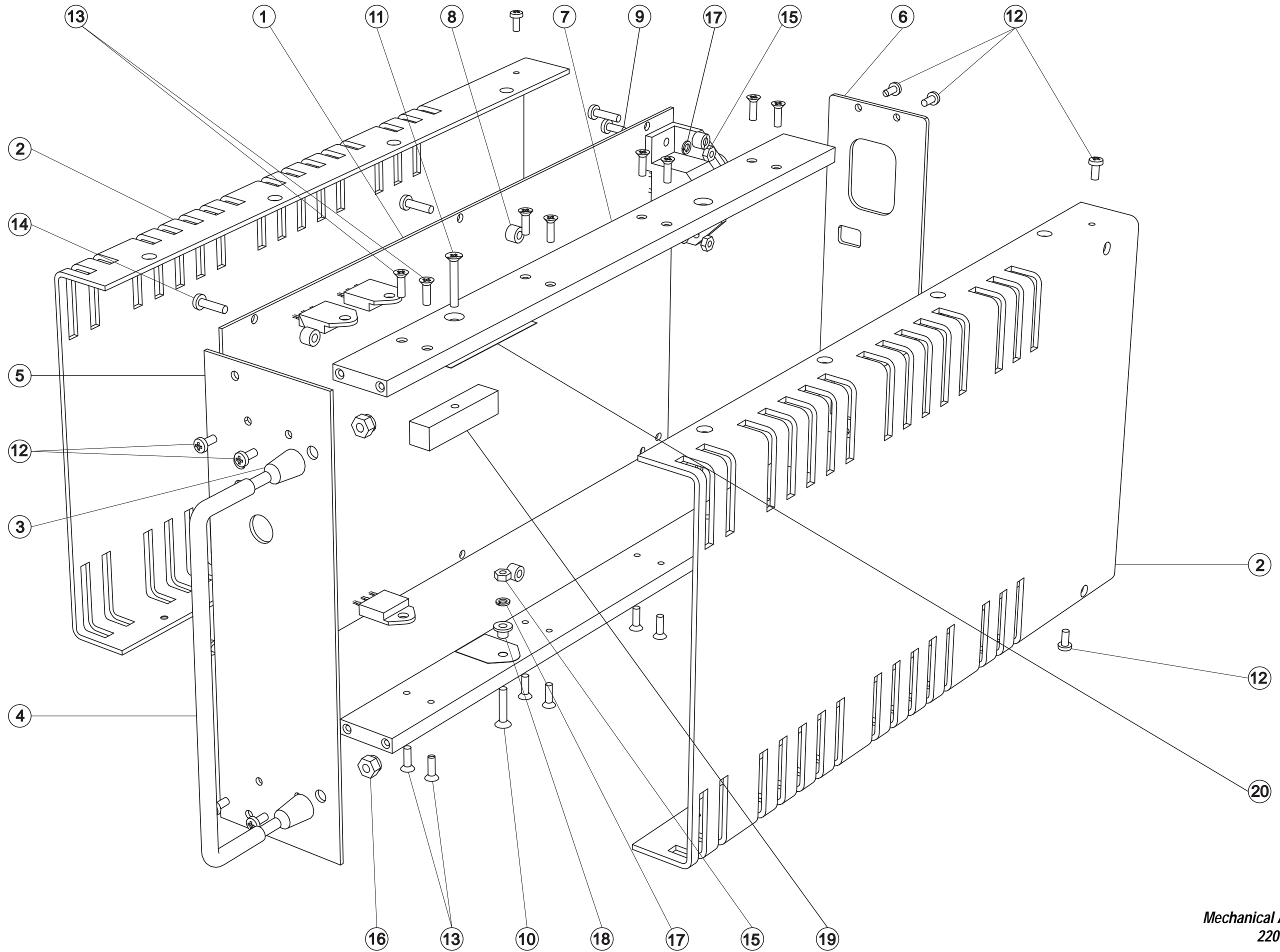
Ref	Var	IPN	Description	Ref	Var	IPN	Description
*C1		010-04470-09	CAP CERAMIC 4N7 +-20% 250VAC APPROVED	C57		025-08100-04	(L) CAP 10M 35V 10% TANT 2.5MM L/S
*C2		010-04470-09	CAP CERAMIC 4N7 +-20% 250VAC APPROVED	C59		011-54100-01	CAP CER AI 1N 10% T/C B 63V
*C3		022-06680-04	CAP MYLAR 680N +- 20% 250VAC APPROVED	C60		017-15470-01	CAP CER SURFACE BARRIER 47N 20% 50V
*C4		022-06680-04	CAP MYLAR 680N +- 20% 250VAC APPROVED	C61		025-08100-04	CAP 10M 35V 10% TANT 2.5MM L/S
*C5		010-04470-09	CAP CERAMIC 4N7 +-20% 250VAC APPROVED	C62		019-05470-00	CAP MONOLITHIC CER 47N 10% 50V X7R
*C5A		010-04470-09	CAP CERAMIC 4N7 +-20% 250VAC APPROVED	C63		022-57100-02	CAP MYLAR AI 1M 20% 50V POTTED
*C6		010-04470-09	CAP CERAMIC 4N7 +-20% 250VAC APPROVED	C65		020-09470-07	CAP 470M 16V 20% ELEC VERT 8*20 3.5MM L/S LO-ESR
*C6A		010-04470-09	CAP CERAMIC 4N7 +-20% 250VAC APPROVED	C66		024-14470-01	CAP METAL POLYPR RADL 4N7 10% 400VAC
*C9		021-09390-00	CAP 390UF ELECT 200V 105D 25DIA X40 10MMLS	C67		024-14470-01	CAP METAL POLYPR RADL 4N7 10% 400VAC
*C10		021-09390-00	CAP 390UF ELECT 200V 105D 25DIA X40 10MMLS	*C68		020-19220-02	CAP ELECT RAD 2200M 16V 12.5X30MM LO ESR
*C11		021-09390-00	CAP 390UF ELECT 200V 105D 25DIA X40 10MMLS	*C69		020-19220-02	CAP ELECT RAD 2200M 16V 12.5X30MM LO ESR
*C12		021-09390-00	CAP 390UF ELECT 200V 105D 25DIA X40 10MMLS	*C70		020-19220-02	CAP ELECT RAD 2200M 16V 12.5X30MM LO ESR
*C13		024-06680-08	CAP POLYPR AXIAL 680N 20% 250VDC	*C71		020-19220-02	CAP ELECT RAD 2200M 16V 12.5X30MM LO ESR
*C14		024-06680-08	CAP POLYPR AXIAL 680N 20% 250VDC	*C72		020-19220-02	CAP ELECT RAD 2200M 16V 12.5X30MM LO ESR
*C15		010-03220-03	CAP CER 220P 10% T/C B 6KV	*C73		020-19220-02	CAP ELECT RAD 2200M 16V 12.5X30MM LO ESR
C16		025-07100-01	CAP TANT BEAD 1M 35V	C74		010-04220-09	CAP CER 2N2 10% 250VAC APPROVED
C17		011-53470-02	CAP CER AI 470P 10% T/C B 63V	C75		010-04220-09	CAP CER 2N2 10% 250VAC APPROVED
C18		011-03680-01	CAP CER 680P 10% N1K5 50/63V	C78		020-09820-01	CAP 820M 16V ELECT 10X25MM
C20		010-04100-04	CAP CER 1N 10% T/C B 400V	C79		019-05470-00	CAP MONOLITHIC CER 47N 10% 50V X7R
C21		022-55470-10	CAP MYLAR AI 47N 5% 63V POTTED	C80		010-04100-04	CAP CER 1N 10% T/C B 400V
C22		022-55470-10	CAP MYLAR AI 47N 5% 63V POTTED	C81		010-04100-04	CAP CER 1N 10% T/C B 400V
C23		020-08470-07	CAP ELECT RADL 47M 16V 8X11.5MM HI TEMP	C82		010-04100-04	CAP CER 1N 10% T/C B 400V
C24		020-07100-04	CAP ELECT RADL 1M 63V 8X12MM HI TEMP	C84		019-05470-00	CAP MONOLITHIC CER 47N 10% 50V X7R
C25		025-08100-04	(L) CAP 10M 35V 10% TANT 2.5MM L/S	C85		011-52330-01	CAP CER AI 33P 5% N150 50/63V
C26		011-54100-01	CAP CER AI 1N 10% T/C B 63V	C86		022-54100-10	CAP MYLAR AI 1N 5% 63V POTTED
C27		011-54100-01	CAP CER AI 1N 10% T/C B 63V	C87		022-54220-10	CAP MYLAR AI 2N2 5% 63V POTTED
C31		011-54100-01	CAP CER AI 1N 10% T/C B 63V	C88		022-55470-10	CAP MYLAR AI 47N 5% 63V POTTED
C32		011-54100-01	CAP CER AI 1N 10% T/C B 63V	C89		011-52220-01	CAP CER AI 22P 5% N150 50/63V
C33		019-05470-00	CAP MONOLITHIC CER 47N 10% 50V X7R	C90		010-04100-04	CAP CER 1N 10% T/C B 400V
C34		025-08100-04	(L) CAP 10M 35V 10% TANT 2.5MM L/S	C91		010-04100-04	CAP CER 1N 10% T/C B 400V
C35		011-54100-01	CAP CER AI 1N 10% T/C B 63V	C95		011-54100-01	CAP CER AI 1N 10% T/C B 63V
C37		020-19220-04	CAP 2200M ELEC 35V 16X35 L ESR	C96		022-56100-10	CAP MYLAR AI 100N 5% 63V POTTED
C38		019-05470-00	CAP MONOLITHIC CER 47N 10% 50V X7R	C98		025-08100-04	(L) CAP 10M 35V 10% TANT 2.5MM L/S
C39		019-05470-00	CAP MONOLITHIC CER 47N 10% 50V X7R	C99		011-52220-01	CAP CER AI 22P 5% N150 50/63V
C42		011-54100-01	CAP CER AI 1N 10% T/C B 63V	C100		019-55100-01	CAP MONOLITHIC AI 10N 5% COG 50V
C43		011-54100-01	CAP CER AI 1N 10% T/C B 63V	C101		011-03100-06	CAP CER 100P 5% N750 50/63V
C44		025-07100-01	CAP TANT BEAD 1M 35V	D1		001-00012-30	(S) DIODE 6A6 MR 756 BY214-600 6A/600V
C45		011-54100-01	CAP CER AI 1N 10% T/C B 63V	D2		001-00012-30	(S) DIODE 6A6 MR 756 BY214-600 6A/600V
C46		011-54100-01	CAP CER AI 1N 10% T/C B 63V	D3		001-00012-30	(S) DIODE 6A6 MR 756 BY214-600 6A/600V
C49		019-05470-00	CAP MONOLITHIC CER 47N 10% 50V X7R	D4		001-00012-30	(S) DIODE 6A6 MR 756 BY214-600 6A/600V
C50		025-08100-04	(L) CAP 10M 35V 10% TANT 2.5MM L/S	D5		001-50012-05	(S) DIODE AI 1N4531 SI SMALL SIG
C51		010-04100-04	CAP CER 1N 10% T/C B 400V	D6		001-50012-05	(S) DIODE AI 1N4531 SI SMALL SIG
C54		011-54100-01	CAP CER AI 1N 10% T/C B 63V	D7		001-50012-05	(S) DIODE AI 1N4531 SI SMALL SIG
C55		019-05470-00	CAP MONOLITHIC CER 47N 10% 50V X7R				
C56		025-08100-04	(L) CAP 10M 35V 10% TANT 2.5MM L/S				

Ref	Var	IPN	Description	Ref	Var	IPN	Description
D8		001-50012-05	(S) DIODE AI 1N4531 SI SMALL SIG	R39		030-54390-20	RES FILM AI 3K9 5% 0.4W 4X1.6MM
D11		001-50012-05	(S) DIODE AI 1N4531 SI SMALL SIG	R40		030-54820-20	RES FILM AI 8K2 5% 0.4W 4X1.6MM
D12		001-50012-05	(S) DIODE AI 1N4531 SI SMALL SIG	R41		030-54680-20	RES FILM AI 6K8 5% 0.4W 4X1.6MM
D13		008-00014-73	(S) LED HLMP5050 GREEN RT ANGLE PCB MTG	R43		030-55470-20	RES FILM AI 47K 5% 0.4W 4X1.6MM
D14		001-00012-23	(S) DIODE BYV26C 1A/400V FAST SWITCH	R44		030-55100-20	RES FILM AI 10K 5% 0.4W 4X1.6MM
*D15		001-00012-27	(S) DIODE BYV28-200 3.5A/200V FAST SWITCH	R45		030-56100-20	RES FILM AI 100K 5% 0.4W 4X1.6MM
*D18		001-00012-27	(S) DIODE BYV28-200 3.5A/200V FAST SWITCH	R46		030-55100-20	RES FILM AI 10K 5% 0.4W 4X1.6MM
D19		001-00012-23	(S) DIODE BYV26C 1A/400V FAST SWITCH	R47		030-52220-20	RES FILM AI 22E 5% 0.4W 4X1.6MM
D20		001-50012-05	(S) DIODE AI 1N4531 SI SMALL SIG	R48		030-55150-20	RES FILM AI 15K 5% 0.4W 4X1.6MM
D21		001-50012-05	(S) DIODE AI 1N4531 SI SMALL SIG	R49		049-00140-10	VARISTOR 140VRMS 180VDC 42 JOULES
D22		001-00013-40	(S) DIODE SCHOTTKY BAT85 0.2A/30V	R50		030-54220-20	RES FILM AI 2K2 5% 0.4W 4X1.6MM
D23		008-00014-74	(S) LED HLMP5030 RED RT ANGLE PCB MTG	R51		030-55100-20	RES FILM AI 10K 5% 0.4W 4X1.6MM
D24		001-00011-70	(S) DIODE 1N4001 1A/50V	R52		030-56180-20	RES FILM AI 180K 5% 0.4W 4X1.6MM
D25		001-00011-70	(S) DIODE 1N4001 1A/50V	R53		030-55330-20	RES FILM AI 33K 5% 0.4W 4X1.6MM
D26		001-00011-70	(S) DIODE 1N4001 1A/50V	R54B		030-55330-20	RES FILM AI 33K 5% 0.4W 4X1.6MM
D27		001-00011-70	(S) DIODE 1N4001 1A/50V	R55		045-05100-01	RES NTC 10K 5% 5MM DISC
D30		001-00011-70	(S) DIODE 1N4001 1A/50V	R56		030-55100-20	RES FILM AI 10K 5% 0.4W 4X1.6MM
D31		001-00015-19	(S) DIODE ZENER 5V6 0.4W 2% BZX79/B5V6	R57		030-55270-20	RES FILM AI 27K 5% 0.4W 4X1.6MM
D32		008-00014-74	(S) LED HLMP5030 RED RT ANGLE PCB MTG	R58		030-55100-20	RES FILM AI 10K 5% 0.4W 4X1.6MM
D36		001-50012-05	(S) DIODE AI 1N4531 SI SMALL SIG	R59		030-57100-20	RES FILM AI 1M 5% 0.4W 4X1.6MM
D37		001-50012-05	(S) DIODE AI 1N4531 SI SMALL SIG	R60		030-55100-20	RES FILM AI 10K 5% 0.4W 4X1.6MM
D38		001-50012-05	(S) DIODE AI 1N4531 SI SMALL SIG	R61		030-57100-20	RES FILM AI 1M 5% 0.4W 4X1.6MM
D41		001-50012-05	(S) DIODE AI 1N4531 SI SMALL SIG	R62		030-54680-20	RES FILM AI 6K8 5% 0.4W 4X1.6MM
D43		001-00011-45	(S) DIODE DUAL 30A/90V 30CPQ90	R63		030-52330-20	RES FILM AI 33E 5% 0.4W 4X1.6MM
*F1		265-00010-51	FUSE 5.0A 250V SLOW BLOW 5X20	R64		030-52220-20	RES FILM AI 22E 5% 0.4W 4X1.6MM
FC1		340-00010-07	FUSE CLIP PCB MTG 5MM FUSE	R65		030-54150-20	RES FILM AI 1K5 5% 0.4W 4X1.6MM
FC2		340-00010-07	FUSE CLIP PCB MTG 5MM FUSE	R66		030-54150-20	RES FILM AI 1K5 5% 0.4W 4X1.6MM
				R67		030-55100-20	RES FILM AI 10K 5% 0.4W 4X1.6MM
				R68		030-56100-20	RES FILM AI 100K 5% 0.4W 4X1.6MM
IC1		002-00012-40	(S) IC 358 DUAL OP AMP	R69		030-53680-20	RES FILM AI 680E 5% 0.4W 4X1.6MM
IC2		002-00010-81	(S) IC 7815 +15V 1AMP TO -220 3PIN	R70		030-53270-20	RES FILM AI 270E 5% 0.4W 4X1.6MM
IC3		002-00012-40	(S) IC 358 DUAL OP AMP	R71		030-54330-20	RES FILM AI 3K3 5% 0.4W 4X1.6MM
IC4		002-00016-61	(S) IC 3525A SMPS CTRL	R72		030-52100-20	RES FILM AI 10E 5% 0.4W 4X1.6MM
IC5		002-00010-75	(S) IC TSC426 DRIVER INVERTING MOSFET 8PIN	R73		030-55100-20	RES FILM AI 10K 5% 0.4W 4X1.6MM
IC6		002-00010-75	(S) IC TSC426 DRIVER INVERTING MOSFET 8PIN	R74		030-54470-20	RES FILM AI 4K7 5% 0.4W 4X1.6MM
IC7		002-00020-58	(S) IC CNX62A OPTOCOUPLER 250VAC APPRVD	R75		030-54470-20	RES FILM AI 4K7 5% 0.4W 4X1.6MM
IC8		002-00014-15	(S) IC TL431 SHUNT REG TO-92	R76		030-54680-20	RES FILM AI 6K8 5% 0.4W 4X1.6MM
				R79A		032-32100-01	RES M/F PWR 10E 2.5W 17X5MM
*L1		056-00010-50	CHOKO 16UH +20% DIFF MODE	R79B		032-32100-01	RES M/F PWR 10E 2.5W 17X5MM
*L1A		056-00010-50	CHOKO 16UH +20% DIFF MODE	R80		030-54100-20	RES FILM AI 1K 5% 0.4W 4X1.6MM
L2		056-00010-36	CHOKO FLTR 0.5MH COMM MODE	R80A		030-52100-20	RES FILM AI 10E 5% 0.4W 4X1.6MM
L3		056-00021-20	IND FXD 2MH 5AMP TOROIDAL	R80B		030-54180-20	RES FILM AI 1K8 5% 0.4W 4X1.6MM
L4		065-00010-11	BEAD FERRITE 4S3 3*1*4MM RED	*R81		032-33150-01	RES M/F PWR 150E 5% 2.5W 17X5MM
L5		065-00010-11	BEAD FERRITE 4S3 3*1*4MM RED	RV81		042-05100-06	RES PRESET 10K CARBON 6MM FLAT
L6		065-00010-20	BEAD FERRITE BALUN 4B1 PHILIPS	*R82		032-33150-01	RES M/F PWR 150E 5% 2.5W 17X5MM
L7		065-00010-11	BEAD FERRITE 4S3 3*1*4MM RED	R83		030-52220-20	RES FILM AI 22E 5% 0.4W 4X1.6MM
L8		065-00010-11	BEAD FERRITE 4S3 3*1*4MM RED	R84		030-52220-20	RES FILM AI 22E 5% 0.4W 4X1.6MM
				R85		030-08100-31	RES M/F 10M 3.5KV VR37 10*4MM
				R85		030-08100-31	RES M/F 10M 3.5KV VR37 10*4MM
				R86		030-55470-20	RES FILM AI 47K 5% 0.4W 4X1.6MM
				R87		030-53100-20	RES FILM AI 100E 5% 0.4W 4X1.6MM
				R88		030-54100-20	RES FILM AI 1K 5% 0.4W 4X1.6MM
				R89		030-54470-20	RES FILM AI 4K7 5% 0.4W 4X1.6MM
				R90		030-55470-20	RES FILM AI 47K 5% 0.4W 4X1.6MM
				R91		030-54100-20	RES FILM AI 1K 5% 0.4W 4X1.6MM
*Q1		000-00012-63	(S) XSTR MTP4N50 PWR MOSFET 500V TO220	RV92		042-03470-06	RES PRESET 470E CARBON 6MM FLAT
*Q2		000-00012-63	(S) XSTR MTP4N50 PWR MOSFET 500V TO220	R93		030-53820-20	RES FILM AI 820E 5% 0.4W 4X1.6MM
Q3		000-50011-30	(S) XSTR AI BC557B PNP TO-92 AF S/SIG	R94		030-54120-20	RES FILM AI 1K2 5% 0.4W 4X1.6MM
Q4		000-50011-10	(S) XSTR AI BC547B NPN TO-92 AF S/SIG	R95		030-55680-20	RES FILM AI 68K 5% 0.4W 4X1.6MM
Q6		000-00010-66	(S) XSTR BC337 NPN AF PWR TO92	R96		030-54680-20	RES FILM AI 6K8 5% 0.4W 4X1.6MM
Q7		000-50011-30	(S) XSTR AI BC557B PNP TO-92 AF S/SIG	R98		030-55100-20	RES FILM AI 10K 5% 0.4W 4X1.6MM
Q8		000-50011-30	(S) XSTR AI BC557B PNP TO-92 AF S/SIG	R99		030-54100-20	RES FILM AI 1K 5% 0.4W 4X1.6MM
Q9		000-00010-66	(S) XSTR BC337 NPN AF PWR TO92	R100		030-55560-20	RES FILM AI 56K 5% 0.4W 4X1.6MM
Q10		000-50011-10	(S) XSTR AI BC547B NPN TO-92 AF S/SIG	R101		030-55560-20	RES FILM AI 56K 5% 0.4W 4X1.6MM
Q11		000-50011-10	(S) XSTR AI BC547B NPN TO-92 AF S/SIG	R102		030-56470-20	RES FILM AI 470K 5% 0.4W 4X1.6MM
Q12		000-50011-10	(S) XSTR AI BC547B NPN TO-92 AF S/SIG	R103		030-55560-20	RES FILM AI 56K 5% 0.4W 4X1.6MM
Q13		000-50011-10	(S) XSTR AI BC547B NPN TO-92 AF S/SIG	R104		030-55100-20	RES FILM AI 10K 5% 0.4W 4X1.6MM
				R105		030-54100-20	RES FILM AI 1K 5% 0.4W 4X1.6MM
R1		030-08100-31	RES M/F 10M 3.5KV VR37 10*4MM	RLY1		237-00010-30	RELAY 12V COIL 240V 10A SPDT
R1		030-08100-31	RES M/F 10M 3.5KV VR37 10*4MM	SW1		233-00010-07	SWITCH DPDT 115/230V 6PIN
R2		049-00275-40	VARISTOR 275V AC 140JOULES 20MM DIA.	SW2		232-00020-28	PUSH SWITCH PCB MTG
R3		035-02100-93	RES WIRE WOUND 10E 5W 19X8MM	SK-3		240-00010-23	PLUG 3 PIN 10AMP 250V PCB MTG
R4		032-35470-00	RES M/F PWR 47K 5% 1W 12X4.5MM	SK-4		240-04030-06	TRMNL BLOCK 1WAY PC MT PHOENIX
R5		030-56270-20	RES FILM AI 270K 5% 0.4W 4X1.6MM	SK-5		240-04030-06	TRMNL BLOCK 1WAY PC MT PHOENIX
R6		030-56390-20	RES FILM AI 390K 5% 0.4W 4X1.6MM	SK-6		240-04030-07	TERML BLK PCB MTG 1WAY FRT 2.5H/SA10
R7		032-35470-00	RES M/F PWR 47K 5% 1W 12X4.5MM	SK-7		240-04030-07	TERML BLK PCB MTG 1WAY FRT 2.5H/SA10
R8		030-55680-20	RES FILM AI 68K 5% 0.4W 4X1.6MM	SK-8		240-04030-07	TERML BLK PCB MTG 1WAY FRT 2.5H/SA10
R9		030-55470-20	RES FILM AI 47K 5% 0.4W 4X1.6MM	T1		053-00010-58	XFMR T4073 T807/808 SWITCHING
R11		032-33100-02	RES M/F PWR 100E 5% 6W 33X9MM	T2		053-00010-59	XFMR T4074 T807/808 CURRENT SENSE
*R12		030-53180-20	RES FILM AI 180E 5% 0.4W 4X1.6MM	T3		053-01060-02	XFMR T4075 T807/808 MOSFET DRIVE
R13A		030-52680-20	RES FILM AI 68E 5% 0.4W 4X1.6MM	T4		053-00010-63	XFMR T4079 MAINS 5VA 18V
R13B		030-54150-20	RES FILM AI 1K5 5% 0.4W 4X1.6MM	*T5		056-00010-39	CHOKO T4072 T807 DIFFNL MODE ETD39
R14		030-54150-20	RES FILM AI 1K5 5% 0.4W 4X1.6MM	T6		056-00010-38	CHOKO T4071 T807-808 DIFFNL MODE
*R17		030-52220-20	RES FILM AI 22E 5% 0.4W 4X1.6MM	TC1		239-00010-06	SW THERM PEPI 100C BARE TERML.C/W SLEEVE
R18		030-54120-20	RES FILM AI 1K2 5% 0.4W 4X1.6MM				
R19		030-52220-20	RES FILM AI 22E 5% 0.4W 4X1.6MM				
R20		030-54120-20	RES FILM AI 1K2 5% 0.4W 4X1.6MM				
R24		030-54120-20	RES FILM AI 1K2 5% 0.4W 4X1.6MM				
RV25		042-03470-06	RES PRESET 470E CARBON 6MM FLAT				
R26		030-53680-20	RES FILM AI 680E 5% 0.4W 4X1.6MM				
R27		030-54180-20	RES FILM AI 1K8 5% 0.4W 4X1.6MM				
R28		030-53820-20	RES FILM AI 820E 5% 0.4W 4X1.6MM				
R29		030-54270-20	RES FILM AI 2K7 5% 0.4W 4X1.6MM				
R30		030-55100-20	RES FILM AI 10K 5% 0.4W 4X1.6MM				
R32		030-56100-20	RES FILM AI 100K 5% 0.4W 4X1.6MM				
R33		030-54100-20	RES FILM AI 1K 5% 0.4W 4X1.6MM				
R34		030-55100-20	RES FILM AI 10K 5% 0.4W 4X1.6MM				
R35		030-55100-20	RES FILM AI 10K 5% 0.4W 4X1.6MM				
R36		030-55150-20	RES FILM AI 15K 5% 0.4W 4X1.6MM				
R37		030-57100-20	RES FILM AI 1M 5% 0.4W 4X1.6MM				
R38		030-55100-20	RES FILM AI 10K 5% 0.4W 4X1.6MM				

Note: Fit L4 & L5 On Leads Of C20
Fit L7 & L8 On Leads Of C51

T807 Mechanical & Miscellaneous Parts (220-01183-05)

IPN	Legend	Description	IPN	Legend	Description
200-00010-35		WIRE T/C 1.5MM ² /1.4MM For L6. 35mm	353-00010-12	17	WASHER M3 SPRING BZ OR Z/C D43 x1, Mains Socket x2, IC2 x1
201-00051-15		WIRE APPLC 1MM ² GREEN HI TEMP PVC85 For Earth Lead	356-00020-06		RECEPTL 6.3MM QUICK CONN FLARED INS For Earth Lead
201-00060-09		WIRE REMIT 0.8MM ² PVC WHITE For Cut Out Switch on T1	356-00020-07		RECEPTL M3.5QUICK CONN M3.5 OPEN END For Earth Lead
209-00010-26		TAPE COPPER 19MM * 0.08MM SCOTCH 1181 For taping switch to T1	356-00020-21		TAB 6.3MM RT ANGLE SPADE CAR QCK CONN PCB Mounted Earth Connector
220-01183-05	1	PCB T807/T808 SMPS 2 OUNCE COPPER	362-00010-13	18	BUSH INSULATING 1.1MM TOP HAT D43 Mounting x1
240-02010-22		SKT MAINS 3PIN FLEX 2M/10A	362-01024-00	19	INSULATOR 54*30 AS PER DRWG A4M2431 Q1/Q2 x1, D43 x1
240-06010-27		BLANKING PLATE 2.5MM GREEN Fitted to SK-8	362-01052-00	20	XSTR CLAMPING BRKT T807/808 A4M2407 Bracing bracket for Q1 & Q2 x1
303-23128-01	2	COVR SIDE A2M2403/2 T807/808 COMP SCRNM	365-00011-54		LABEL WHITE RW 1556/2 90X24MM SPEC AD For outside of box
306-01010-00	3	FERRULE A4M948 HANDLE FXD EQUIP Place on handle x2	365-00013-59		LABEL T807/808 HI VOLT WARNING A4A651
307-02029-00		GUIDE REAR T807/808 A3M2409 Packed in box x2	365-00100-05		LABEL BLANK 50X9MM S/A METLSD POLYES Mounting Kit x1 (in bag) NB/ Label is to be placed over top of screened version on panel if power supply is to be 115 Volts
308-01007-00	4	HANDLE A4M949 FXD EQUIP Front Panel	365-01391-01		LABEL BLNK 30X10.8MM TAMPERMARK VOID Ser No x1, Job No x1, Rev No x1 & Elec Insp x1
308-13088-00		HSINK CLIP ON 14 OR 16 DIP INT CCTS ICs 4, 5 & 6	*365-01500-00		LABEL CE CONFORMITY 12*24MM Placed on outside of box
308-13091-00		HSINK PCB MTG TO-220 Heatsink for IC2 mounting to PCB	399-00010-10		RUBBER BAND NO 33
311-00010-39		KNOB RED PLASTIC ROUND Pushes on to SW2	399-00010-51		BAG PLASTIC 75*100MM For Mounting Kit
316-06398-01	5	PNL FRT COMPL T807 A3M2405/2	400-00020-01		SLEEING 0.7MM SIL RUBBER For Legs of R13A, R47 & R64
316-21177-03	6	PNL REAR A3M2427/2 T807 COMPL SCRNM	400-00020-03		SLEEING 1MM SIL RUBBER For Legs of R3, R11, 79A, R79B, R81 & R82
318-01018-00	7	RAIL CHASSIS T807/808 A3M2404 Attached to PCB x2	400-00020-05		SLEEING 1.5MM SIL RUBBER
*319-01189-00		SHIELD, T807 MAINS FILTER Fitted to underside of PCB across input	400-00020-07		SLEEING 2MM SIL RUBBER Goes over wire on L6.
319-30030-01	8	SPACER A4M1115 T807/808 Between P.C.B. & Rails x6	410-01081-00		CRTN T800 KIWI REF22860 402X192X66MM
345-00040-06	9	SCREW M3*8MM PAN POZI ST BZ SK-3 x2, Mounting Kit x2 (in bag)	410-01082-00		CRTN 10 T800 KIWI REF24417 423X410X360
345-00040-12		SCREW M3X10MM CSK POZI ST BZ Mounting Kit x6 (in bag)			
345-00040-17	10	SCREW M3*16MM CSK POZI ST BZ D43 x1			
345-00040-24	11	SCREW M3X20MM CSK POZI ST BZ Q1/Q2 Bracing Bracket x2			
349-00020-07	12	SCREW 4-40 X 5/16 PAN POZI TAPTITE BLACK Front x4, Rear x4, Cover x4			
349-00020-08	13	SCREW TAPTITE 4-40X3/8IN CSK POZI BZ Covers to rails x16			
349-00020-34	14	SCREW M3*12 PAN POZI TAPTITE BZ P.C.B. to rails x6			
352-00010-08	15	NUT M3 COLD FORM HEX ST BZ D43 x1, Mains Socket x2, IC2 x1, Mounting Kit x2 (in bag)			
352-00010-29	16	NUT M4 NYLOC HEX Handle x2			
353-00010-10		WASHER M3 FLAT 7MM*0.6MM ST BZ Mounting Kit x2 (in bag)			



T807
Mechanical Assembly
220-01183-05